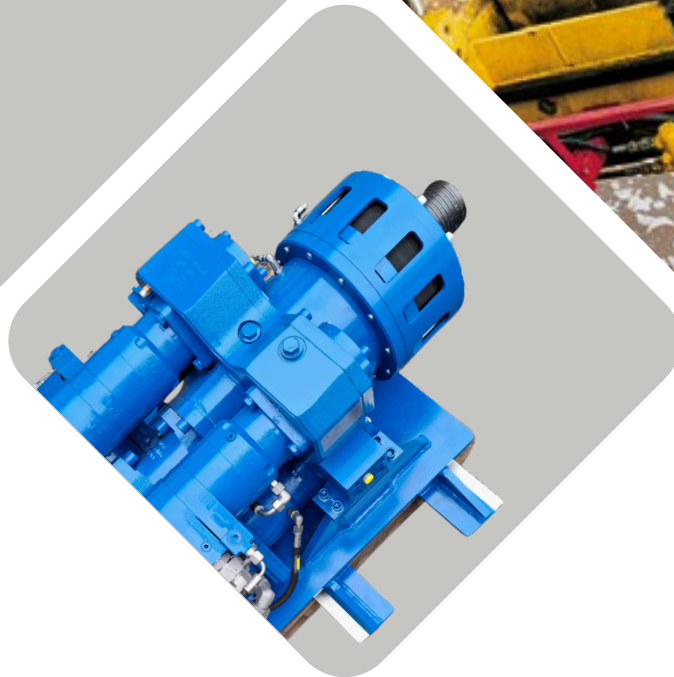


terra  
infrastructure

safety: efficient and sustainable



DRIFTER  
HB60

# DRIFTER HB60

HB60 is a large-size Drifter (top-hammer) especially developed for:

- Micropile drilling up to a casing diameter of 12 inch (ø304,8 mm)
- Overburden drilling up to an outside casing diameter of 10 inch (ø254 mm)
- Threaded hollow bar drilling (self-drilling anchors) up to a bar diameter of 8 inch (ø203,2 mm)

HB60 has a standard built-in hydraulic damping mechanism to avoid blank impacts and to allow percussion during retraction of casings.

HB60 achieves optimum drilling performance in different types of soil by adjusting the impact frequency and the impact energy; three different impact frequencies and impact energies are available.

HB60 offers two different ways to switch between the percussion mechanism and the speed of the rotary drive, either electrically or hydraulically.

HB60 offers three different high-speed and high-pressure motors (480 ccm, 677 ccm, 940 ccm).

## Percussion Unit

Operating pressure	180 - 200 bar
Oil flow rate	80 - 90 l/min
Impact rate	(20   32   40 Hz) 1.200   1.900   2.400 min <sup>-1</sup>
Single impact energy	840   540   420 Nm

## Shank Adaptors (Striker Bars)

Male thread	C112 left   C112 right
Male thread	R112 (H112) left   R112 (H112) right

### OPTIONS

- External flushing heads for casings and self-drilling hollow bars
- Built-in RPM sensor with external box for speed indication
- Central lubrication system
- Custom made hammer plate

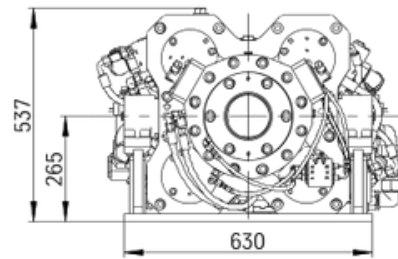
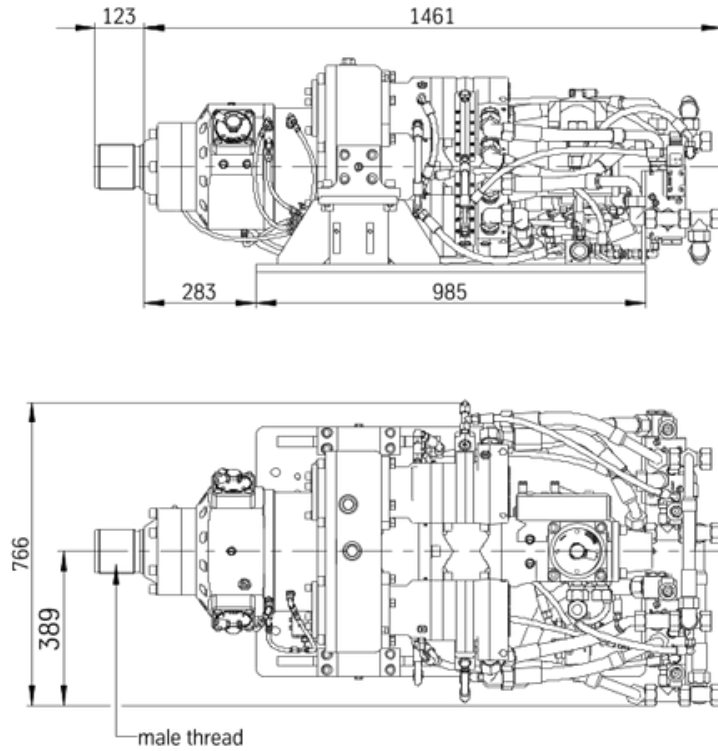
## Rotary Drives

Motor-Version 2x HP480 ccm + 2x HP677 ccm																		
Pressure at rotary drive			170 bar				200 bar				240 bar				280 bar			
Gear			4 <sup>th</sup>	3 <sup>rd</sup>	2 <sup>nd</sup>	1 <sup>st</sup>	4 <sup>th</sup>	3 <sup>rd</sup>	2 <sup>nd</sup>	1 <sup>st</sup>	4 <sup>th</sup>	3 <sup>rd</sup>	2 <sup>nd</sup>	1 <sup>st</sup>	4 <sup>th</sup>	3 <sup>rd</sup>	2 <sup>nd</sup>	1 <sup>st</sup>
Oil flow rate (lpm)	150	Torque (Nm) Speed (rpm)	6.100 60	9.200 40	12.200 30	18.400 18	7.400 60	11.100 40	14.800 30	22.200 18	8.600 60	13.000 40	17.300 30	25.900 18	10.100 60	15.100 40	20.200 30	30.300 18
	240	Torque (Nm) Speed (rpm)	6.100 96	9.200 64	12.200 48	18.400 28	7.400 96	11.100 64	14.800 48	22.200 28	8.600 96	13.000 64	17.300 48	25.900 28	10.100 96	15.100 64	20.200 48	30.300 28
	340	Torque (Nm) Speed (rpm)	6.100 136	9.200 91	12.200 68	18.400 40	7.400 136	11.100 91	14.800 68	22.200 40	8.600 136	13.000 91	17.300 68	25.900 40	10.100 136	15.100 91	20.200 68	30.300 40
1st gear (parallel mode), 2nd gear (parallel + 2-speed mode), 3rd gear (serial mode), 4th gear (serial + 2-speed mode)																		

Motor-Version 4x HP677 ccm (Standard)																		
Pressure at rotary drive			170 bar				200 bar				240 bar				280 bar			
Gear			4 <sup>th</sup>	3 <sup>rd</sup>	2 <sup>nd</sup>	1 <sup>st</sup>	4 <sup>th</sup>	3 <sup>rd</sup>	2 <sup>nd</sup>	1 <sup>st</sup>	4 <sup>th</sup>	3 <sup>rd</sup>	2 <sup>nd</sup>	1 <sup>st</sup>	4 <sup>th</sup>	3 <sup>rd</sup>	2 <sup>nd</sup>	1 <sup>st</sup>
Oil flow rate (lpm)	150	Torque (Nm) Speed (rpm)	7.200 51	10.700 34	14.300 26	21.500 15	8.600 51	13.000 34	17.300 26	25.900 15	10.100 51	15.200 34	20.200 26	30.400 15	11.800 51	17.700 34	23.600 26	35.400 15
	240	Torque (Nm) Speed (rpm)	7.200 82	10.700 55	14.300 41	21.500 24	8.600 82	13.000 55	17.300 41	25.900 24	10.100 82	15.200 55	20.200 41	30.400 24	11.800 82	17.700 55	23.600 41	35.400 24
	340	Torque (Nm) Speed (rpm)	7.200 116	10.700 77	14.300 58	21.500 34	8.600 116	13.000 77	17.300 58	25.900 34	10.100 116	15.200 77	20.200 58	30.400 34	11.800 116	17.700 77	23.600 58	35.400 34
1st gear (parallel mode), 2nd gear (parallel + 2-speed mode), 3rd gear (serial mode), 4th gear (serial + 2-speed mode)																		

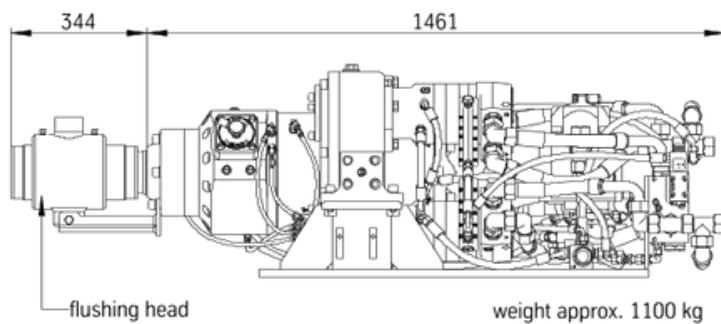
## Dimensions

with hydraulic damping mechanism

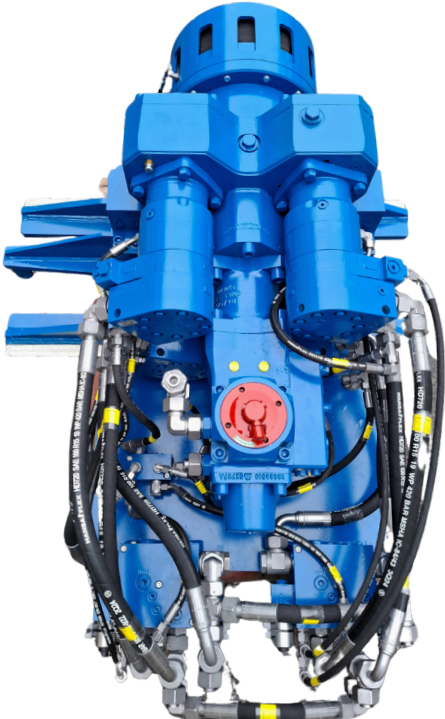
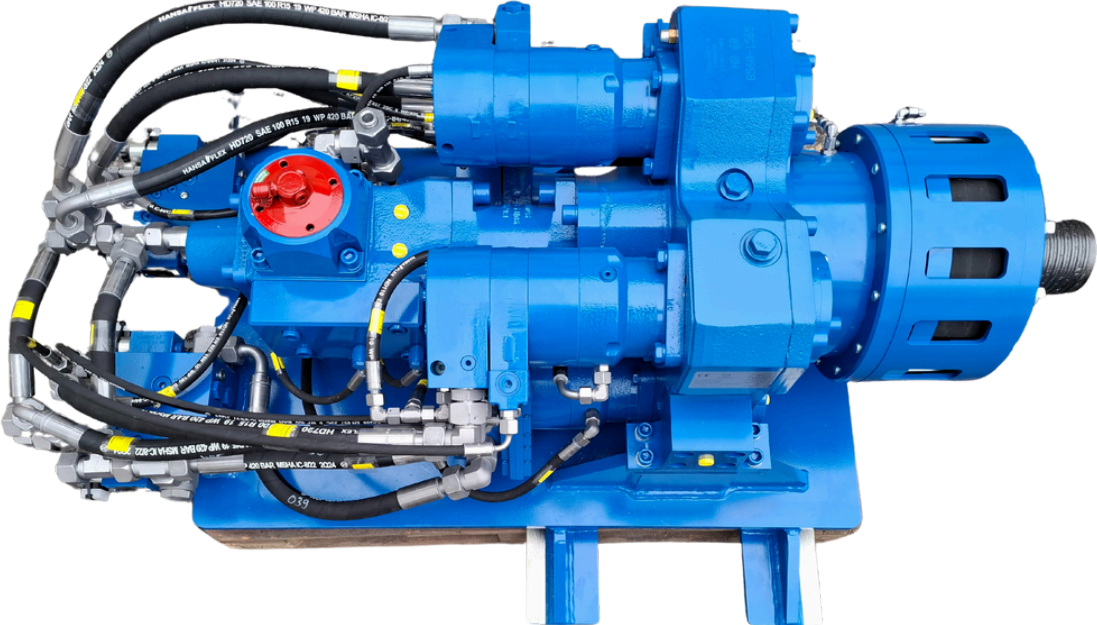


weight approx. 1050 kg  
(including base plate)

with hydraulic damping mechanism and external flushing head



weight approx. 1100 kg  
(including base plate)



terra infrastructure GmbH, Alte Liederbacher Straße 6, 36304 Alsfeld, Germany  
P: +49 6631 781-0  
sales.drilling@terra-infrastructure.com | www.terra-infrastructure.com

**Australia**

terra infrastructure Pty Ltd, 11 Woodford Pl, Thornton NSW 2322, Australia  
P: +61 2 8448-3555  
info.anz@terra-infrastructure.com  
www.terra-infrastructure.com.au

**New Zealand, Pacific Islands**

terra infrastructure Pty Ltd, 180 Fred Taylor Drive, Whenuapai Auckland 0814, New Zealand  
P: +64 9 416-8891  
info.anz@terra-infrastructure.com  
www.terra-infrastructure.co.nz

**Baltic States**

terra infrastructure UAB, Liepų g. 83, 93269 Klaipėda, Lithuania  
P: +370 46 355-401  
www.terra-infrastructure.com/lt



terra  
infrastructure